

Masport®

EXPORT ROTARY MOWERS

SERIES 16

Part Number

465738

Model

150STL 3'n1 OPC 19

Engine

Loncin 123cc

Month and Year of Manufacture: Aug 2018

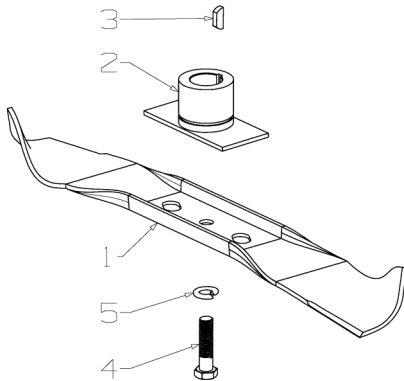
Starting Serial Number:



Issue A.0
ECN 03917
Aug 2018 PB
REF # 765738S



420mm Bar Blade

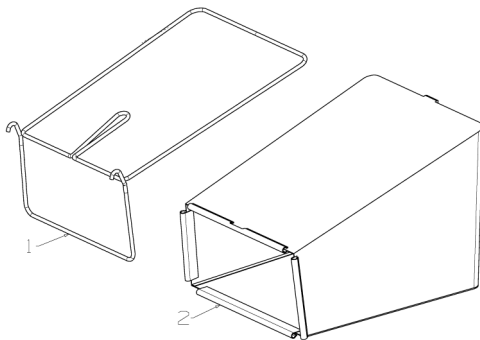


Item	Part No	Description	Qty
1	564514	Blade– Bar, 420mm	1
2	911106	Driver Assy– Blade, 7/8"	1
3	500636	Key– W/Ruff 5/8 x 5/32 x 1/4	1
4	503543	Bolt; Hex NF 3/8 x 1.5 NYG8	1
5	500204	Washer; Spg 3/8"	1

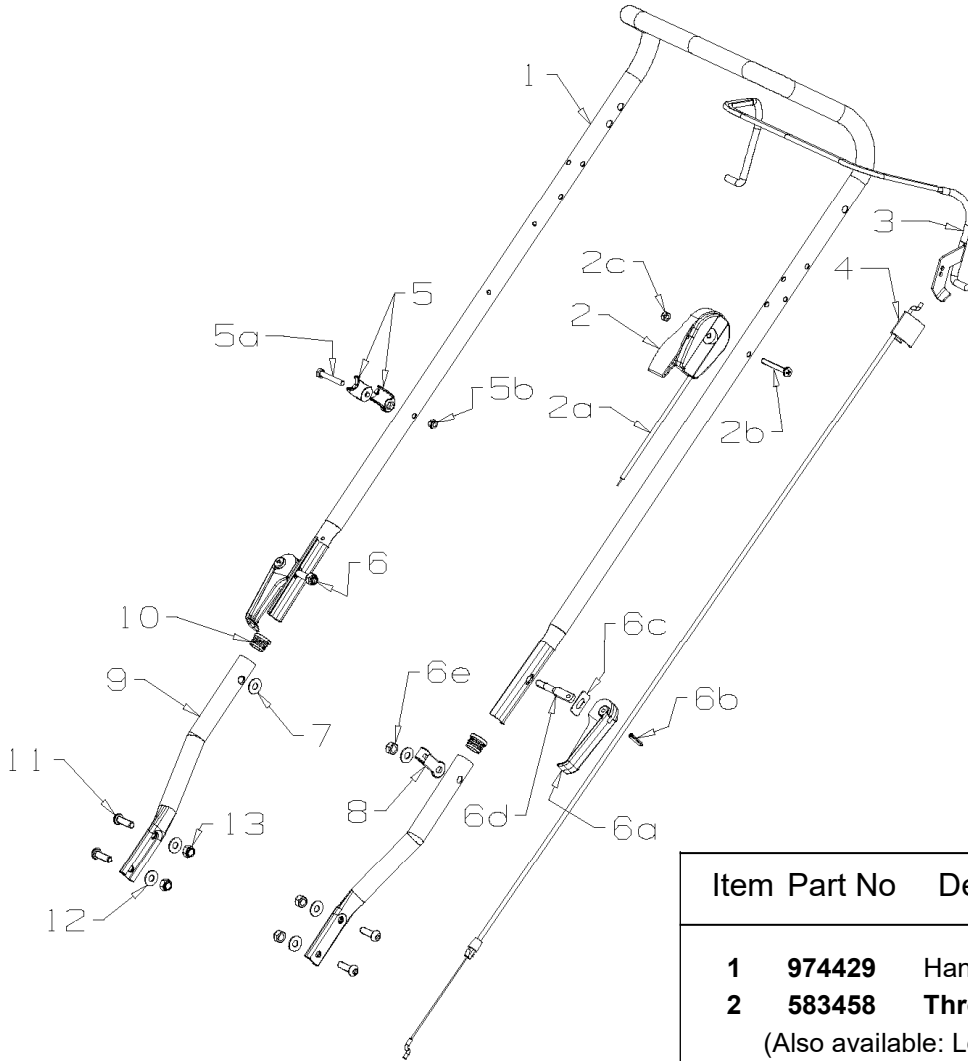
An alternative fastening may be used in this assembly

#4	581610	Screw, Set NF 3/8 x 1.25 NYG8	1
----	--------	-------------------------------	---

764512 Bag Catcher Assembly 16" (Includes items 1 & 2)



Item	Part No	Description	Qty
1	564496	Frame Assy– Catcher, Fabric 16" 1	1
2	564513	Bag Assy– Catcher, 16" Plain	1

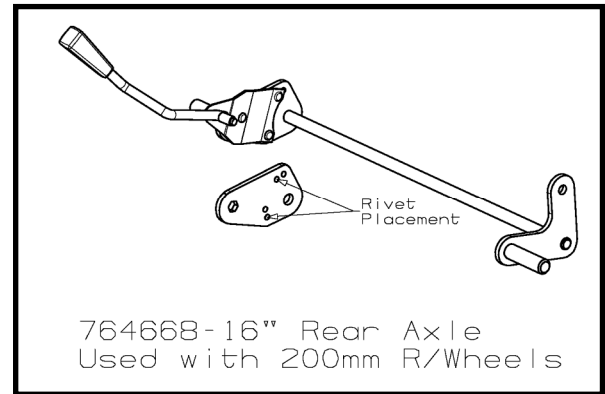
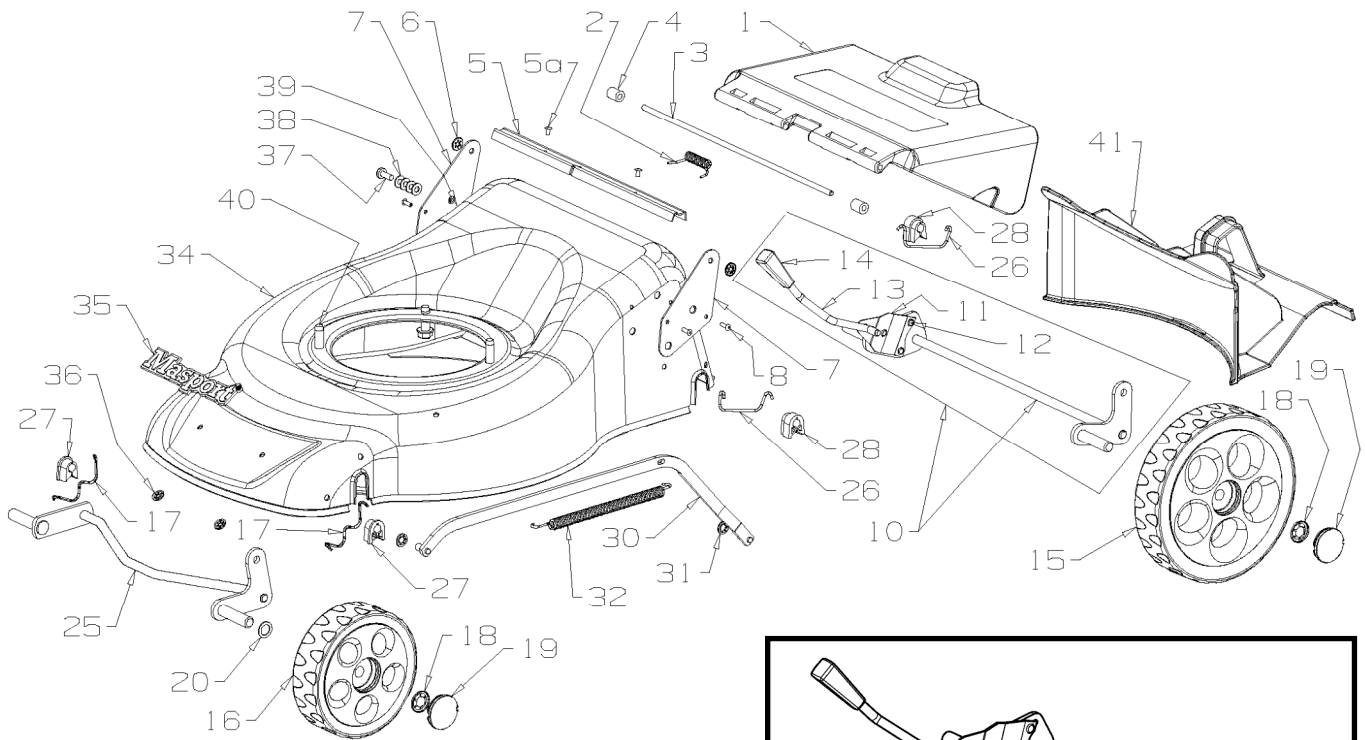


Not Illustrated

503054	Tie– Nylon Cable, Black	2
564550	Instruct, Catcher Assy 16"	1
565305	Certificate of Conformity	1
569324	Owner Manual, Masport EU	1
574146	Decal, Noise S16 96db	1
574156	Decal, HSG S16 150STL	1
580778	Stop Rope	1
581413	Decal, Handle– Power Drive	1
582049	Decal, Flap Caution	1

Item	Part No	Description	Qty
1	974429	Handle– Upper, Upturned S16	1
2	583458	Throttle Ctrl & Cable, Wescon	1
		(Also available: Lever 574398, Body 574430)	
2b	503604	*Screw, Pan M6 x 45	1
2c	501764	*Nut, M6 Hex Nyloc x 6mm thick	1
3	981740	Bail Arm Assy, OPC Flattened	1
4	583395	Cable– Engine OPC, Push On	1
5	703856	Comfort Start Kit	1
5a	503794	*Screw, Set M6 x 40	1
5b	501764	*Nut, M6 Hex Nyloc x 6mm thick	1
6	780456	Cam Lock Assembly (1 per)	2
6a	580313	*Lever– Handle Locking	1
6b	503369	*Pin, Tension 5.0 x 22	1
6c	016777	*Washer– Slipper S/S	1
6d	583041	*Stud– Handle Lock, 61mm	1
6e	501793	*Nut, M8 Hex Nyloc x 8mm thick	1
7	501606	Washer, Flat 8 x 19 x 1.6	2
8	581527	Retainer– Clutch Cable	1
9	980692	Handle– Lower, Stub	2
10	503319	Plug– 22mm Black Plastic	2
11	502107	Screw, Set M8 x 20 BTN/HD	4
12	501606	Washer, Flat 8 x 19 x 1.6	4
13	501793	Nut, M8 Hex Nyloc x 8mm thick	4

When ordering spares: PLEASE QUOTE PART NUMBER & Description, NOT illustrated number. Item Qty = 1 per part unless stated differently.
BOLD TEXT = Assemblies. Text starting with * = items included in the assemblies & may not be available as a spares item.
 Determine the left hand or right hand sides by standing in the operating position (standing at the handle).



Item	Part No	Description	Qty
1	564570	Flap- Mower, 16" F/Catcher Blk	1
2	581349	Spring-Flap, 19" STL	1
3	564503	Wire-Flap Pivot 335mm x 6mm	1
4	579733	Spacer-Flap	2
5	579211	Seal-Flap, Dust Plastic 19"	1
5a	581369	Rivet-Pop 4.0 Dia x 3.2 73SS5-2	2
6	503574	Clip-Starlock, 6 dia	2
7	564517	Bracket- Flap S16 Fab/Catch	2
8	501303	Rivet-Pop 4.0 Dia x 7.9 73AS5-5	4
10	764668	Axle Assy-Rear,S16 8" Wheels	1
11	580649	*Spring- Leaf	1
12	503373	*Rivet- F/HD 3/16x27/64"	3
13	564498	*Rod- Height Selector, 16" STL	1
14	580056	*Knob-Height Lever,7.9dia Sq Blk	1
15	579193	Wheel Assy-200, 5 Hole Graphite	2
16	579191	Wheel Assy-150, 5 Hole Graphite	2
17	529674	Retainer- Axle, Front "W"	2
18	503236	Clip-Starlock, 1/2"	4
19	579194	Hub Cap- Button, 5 Hole Graphite	4
20	503301	Washer, Flat 1/2 x 3/4 x 18g	1
25	564481	Axle Assy-Front,S16 6" Wheel	1
26	579292	Retainer-Axle, Rear, Stl Deck	2
27	564499	Bush- Pivot, Axle Front S16	2

Item	Part No	Description	Qty
28	564500	Bush- Pivot, Axle Rear S16	2
30	564486	Rod Assy-Connecting, S16 STL	1
31	501365	Clip-Starlock, 5/16"	2
32	581463	Spring-Counter Balance	1
34	764510	Hsg-Assy Stl 16" FS TTNM	1
35	581240	*Nameplate - Masport	1
36	503150	*Clip-Starlock, 5dia	2
37	503331	Screw, Pan M6 X 16	1
38	501703	Washer, Flat 6 x 14 x 1.2	4
39	501764	Nut, M6 Hex (Inside housing)	1
40	580453	Screw; S/T 3/8 x 1-1/8" UNC Tri	3
41	564544	Insert- Mulching, 16"	1
Not Illustrated			
	502350	Loncin LC1P61FE OPC 123cc	1

When ordering spares: PLEASE QUOTE PART NUMBER & Description, NOT illustrated number. Item Qty = 1 per part unless stated differently. **BOLD TEXT** = Assemblies. Text starting with * = items included in the assemblies & may not be available as a spares item. Determine the left hand or right hand sides by standing in the operating position (standing at the handle).